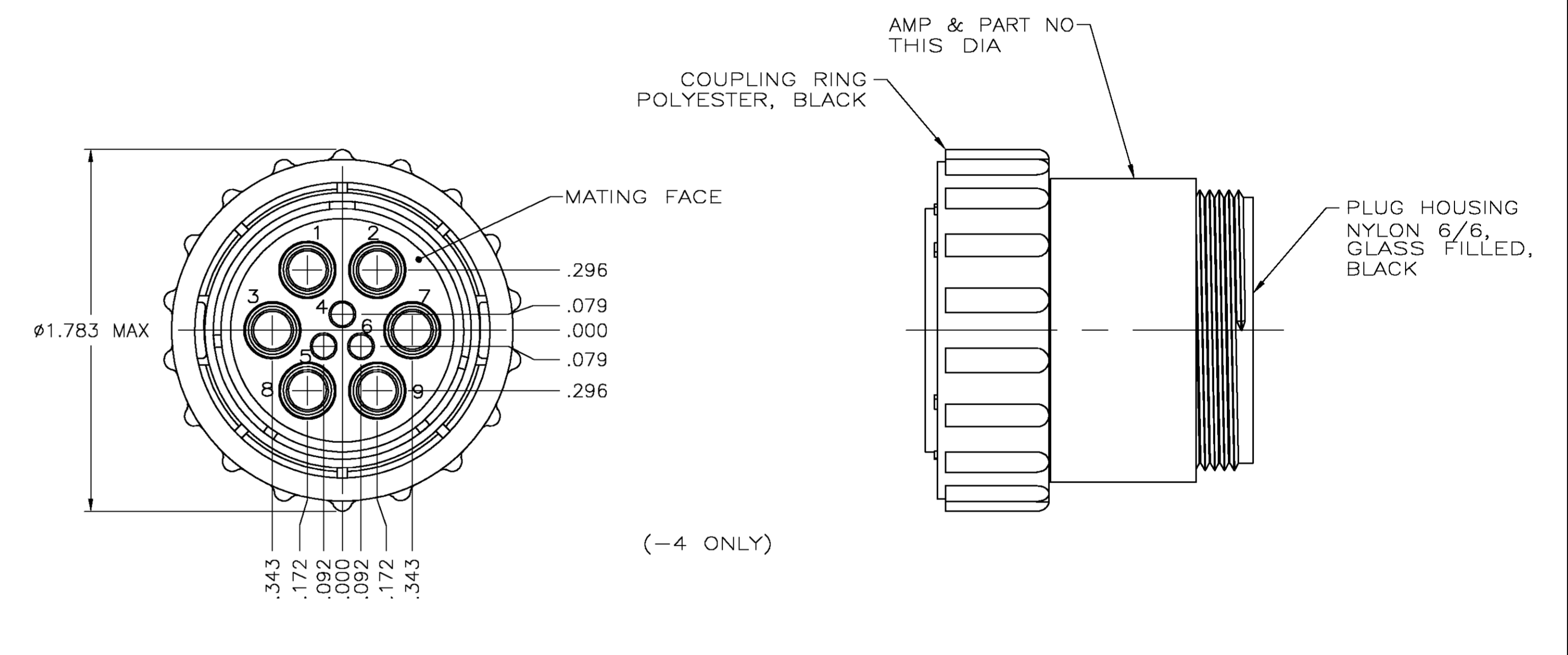
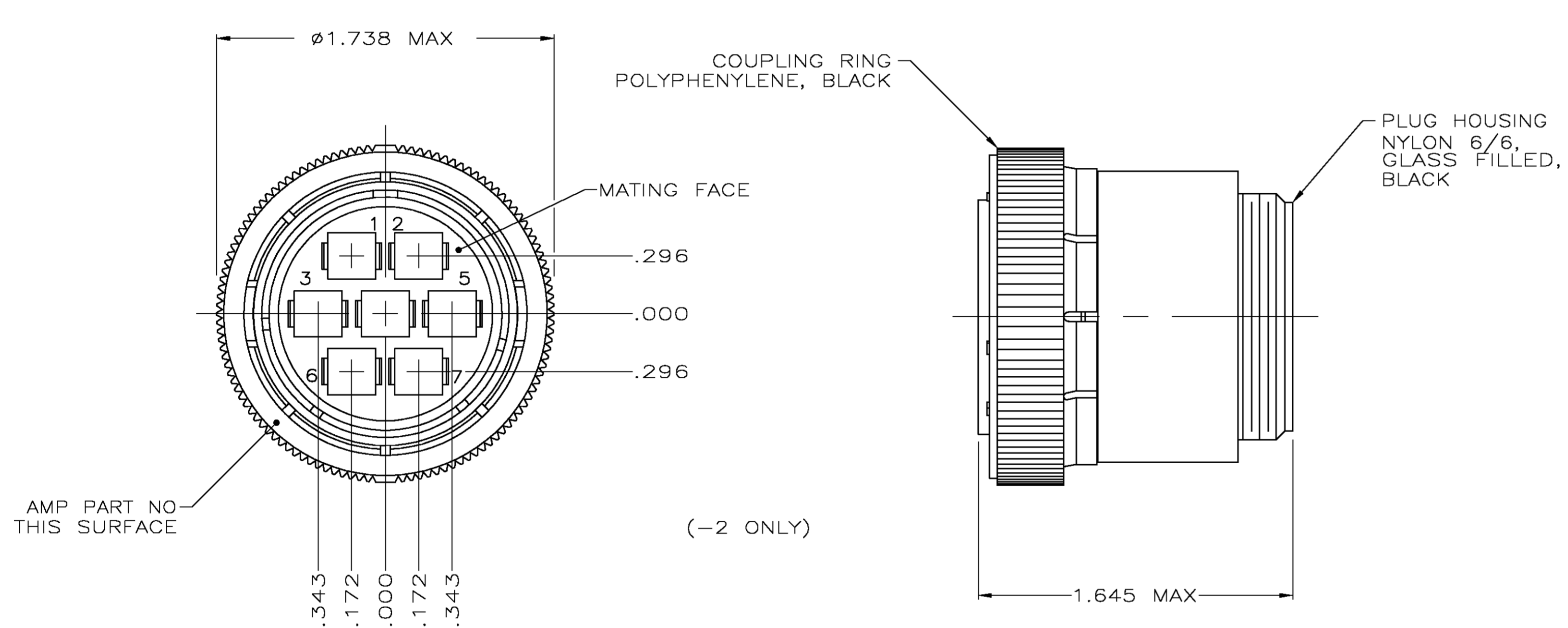
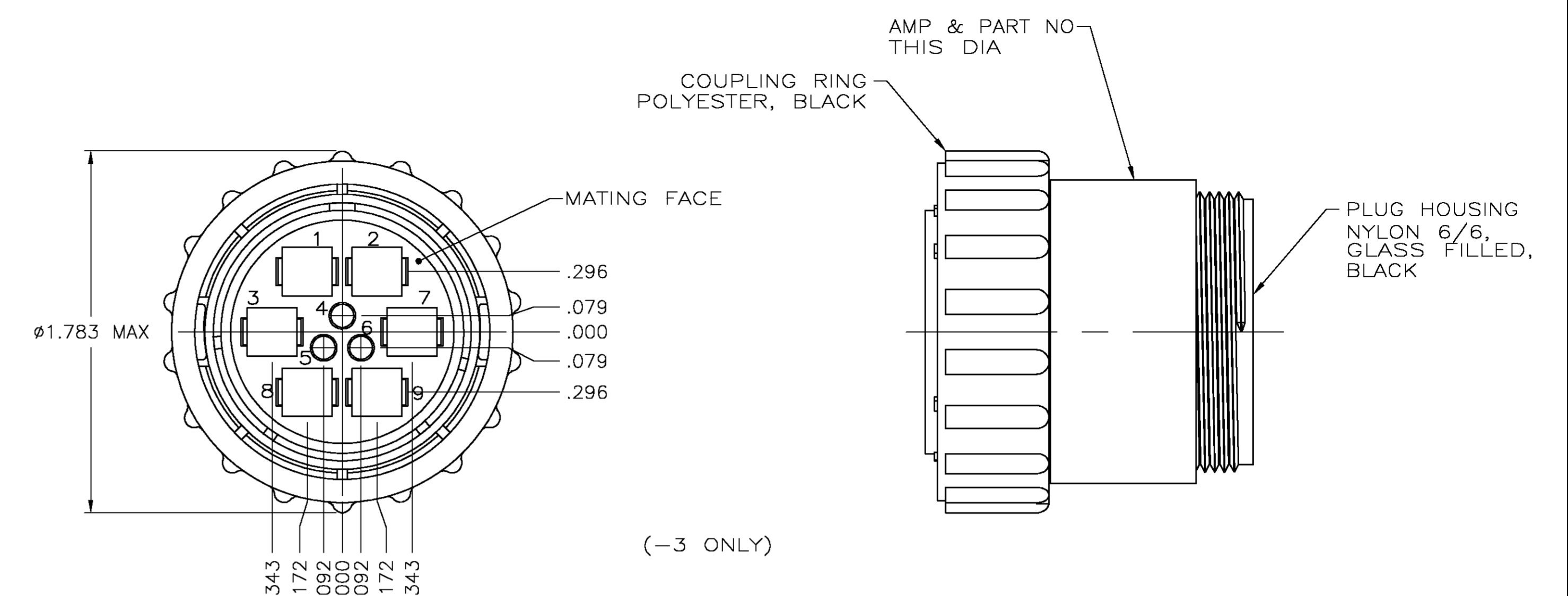
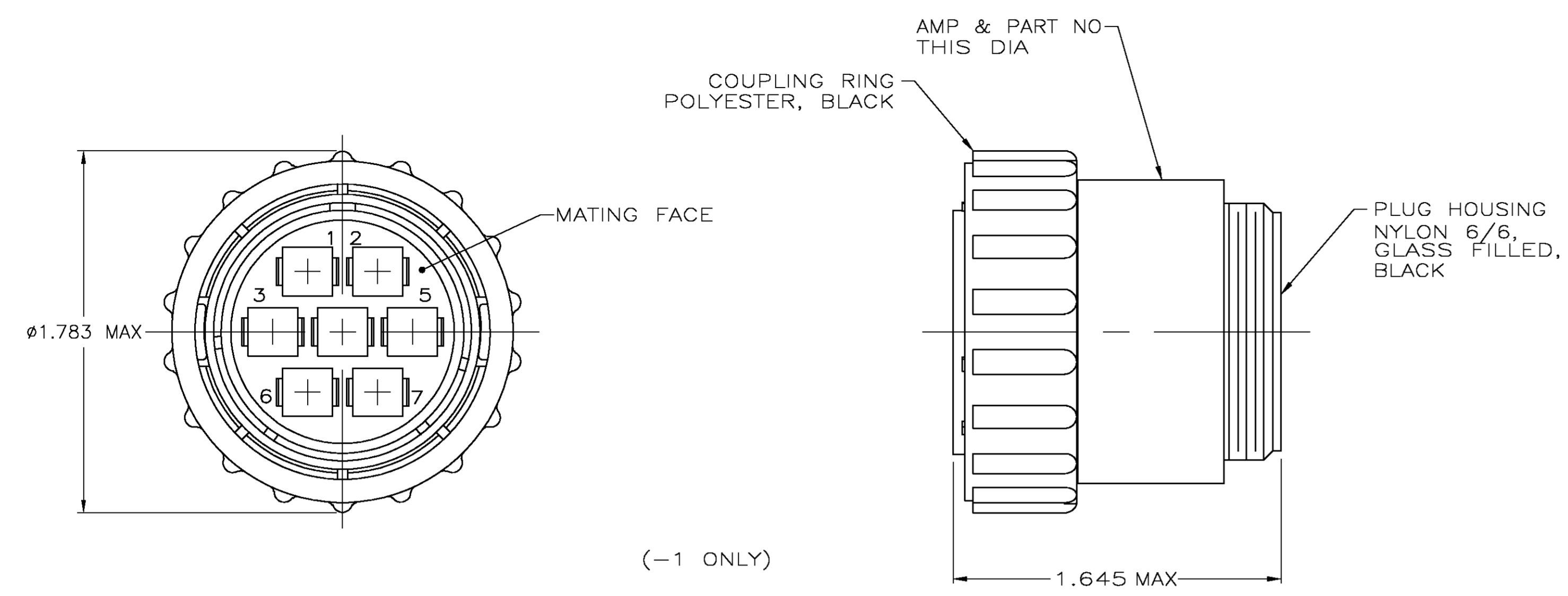


LOC		DIST		REVISIONS			
P	LTR	DESCRIPTION	DATE	BY	APPD		
L		REVISED PER 063B-0890-04	10/5/04	SS	HW		



NOTES:

- CONTACT CAVITIES IDENTIFIED BY CHARACTERS ON FRONT AND REAR FACES OF CONNECTOR.
- 1 AND -2 WILL ACCEPT (7) SEVEN TYPE XII PIN CONTACTS.
- 3 WILL ACCEPT (6) SIX TYPE XII PIN CONTACTS AND (3) THREE TYPE III+ PIN CONTACTS.
- 4 WILL ACCEPT (6) SIX POWER BAND CONTACTS AND (3) THREE TYPE III+ PIN CONTACTS.
- PRELIMINARY PART NUMBER.

206226-4	206226-3	206226-2	206226-1
PART NUMBER			

THIS DRAWING IS A CONTROLLED DOCUMENT.		DWG: S.RIDGLEY BC 8/2/90	Tyco Electronics Corporation Harrisburg, Pa 17105-3608	
DIMENSIONS: INCHES		CHK: R.STONE 04/28/91	NAME: PLUG ASSEMBLY, SHELL SIZE 23, REVERSE SEX, SERIES 3, CPC	
TOLERANCES UNLESS OTHERWISE SPECIFIED:		APVD: -	PRODUCT SPEC: -	
0 PLC ± .005		APPLICATION SPEC: -		SIZE: A1
1 PLC ± .005		WEIGHT: -		CAGE CODE: 00779
2 PLC ± .005		CUSTOMER DRAWING		DRAWING NO: 206226
3 PLC ± .005		SCALE: 2:1		SHEET: 1 OF 1
4 PLC ± .005		RESTRICTED TO: -		REV: L
ANGLES ± .005				